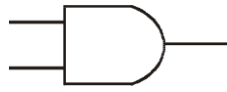

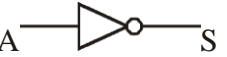
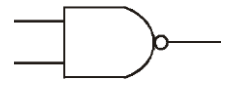
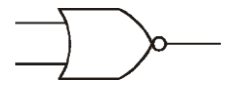
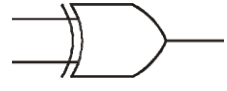
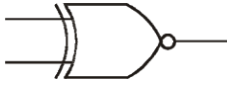


BLOCOS LÓGICOS BÁSICOS

PORTA	Símbolo Usual	Tabela da Verdade	Função Lógica	Expressão															
E AND	 A B S	<table border="1"> <thead> <tr> <th>A</th> <th>B</th> <th>S</th> </tr> </thead> <tbody> <tr> <td>0</td> <td>0</td> <td>0</td> </tr> <tr> <td>0</td> <td>1</td> <td>0</td> </tr> <tr> <td>1</td> <td>0</td> <td>0</td> </tr> <tr> <td>1</td> <td>1</td> <td>1</td> </tr> </tbody> </table>	A	B	S	0	0	0	0	1	0	1	0	0	1	1	1	Função E: Assume 1 quando todas as variáveis forem 1 e 0 nos outros casos.	$S=A \cdot B$
A	B	S																	
0	0	0																	
0	1	0																	
1	0	0																	
1	1	1																	
OU OR	 A B S	<table border="1"> <thead> <tr> <th>A</th> <th>B</th> <th>S</th> </tr> </thead> <tbody> <tr> <td>0</td> <td>0</td> <td>0</td> </tr> <tr> <td>0</td> <td>1</td> <td>1</td> </tr> <tr> <td>1</td> <td>0</td> <td>1</td> </tr> <tr> <td>1</td> <td>1</td> <td>1</td> </tr> </tbody> </table>	A	B	S	0	0	0	0	1	1	1	0	1	1	1	1	Função E: Assume 0 quando todas as variáveis forem 0 e 1 nos outros casos.	$S=A+B$
A	B	S																	
0	0	0																	
0	1	1																	
1	0	1																	
1	1	1																	
NÃO NOT	 A S	<table border="1"> <thead> <tr> <th>A</th> <th>S</th> </tr> </thead> <tbody> <tr> <td>0</td> <td>1</td> </tr> <tr> <td>1</td> <td>0</td> </tr> </tbody> </table>	A	S	0	1	1	0	Função NÃO: Inverte a variável aplicada à sua entrada.	$S=\bar{A}$									
A	S																		
0	1																		
1	0																		
NE NAND	 A B S	<table border="1"> <thead> <tr> <th>A</th> <th>B</th> <th>S</th> </tr> </thead> <tbody> <tr> <td>0</td> <td>0</td> <td>1</td> </tr> <tr> <td>0</td> <td>1</td> <td>1</td> </tr> <tr> <td>1</td> <td>0</td> <td>1</td> </tr> <tr> <td>1</td> <td>1</td> <td>0</td> </tr> </tbody> </table>	A	B	S	0	0	1	0	1	1	1	0	1	1	1	0	Função NE: Inverso da função E.	$S=\overline{(A \cdot B)}$
A	B	S																	
0	0	1																	
0	1	1																	
1	0	1																	
1	1	0																	
NOU NOR	 A B S	<table border="1"> <thead> <tr> <th>A</th> <th>B</th> <th>S</th> </tr> </thead> <tbody> <tr> <td>0</td> <td>0</td> <td>1</td> </tr> <tr> <td>0</td> <td>1</td> <td>0</td> </tr> <tr> <td>1</td> <td>0</td> <td>0</td> </tr> <tr> <td>1</td> <td>1</td> <td>0</td> </tr> </tbody> </table>	A	B	S	0	0	1	0	1	0	1	0	0	1	1	0	Função NOU: Inverso da função OU.	$S=\overline{(A+B)}$
A	B	S																	
0	0	1																	
0	1	0																	
1	0	0																	
1	1	0																	
OU Exclusivo	 A B S	<table border="1"> <thead> <tr> <th>A</th> <th>B</th> <th>S</th> </tr> </thead> <tbody> <tr> <td>0</td> <td>0</td> <td>0</td> </tr> <tr> <td>0</td> <td>1</td> <td>1</td> </tr> <tr> <td>1</td> <td>0</td> <td>1</td> </tr> <tr> <td>1</td> <td>1</td> <td>0</td> </tr> </tbody> </table>	A	B	S	0	0	0	0	1	1	1	0	1	1	1	0	Função OU Exclusivo: Assume 1 quando as variáveis assumirem valores diferentes entre si.	$S=A \oplus B$ $S=A \cdot \bar{B} + \bar{A} \cdot B$
A	B	S																	
0	0	0																	
0	1	1																	
1	0	1																	
1	1	0																	
Coincidência	 A B S	<table border="1"> <thead> <tr> <th>A</th> <th>B</th> <th>S</th> </tr> </thead> <tbody> <tr> <td>0</td> <td>0</td> <td>1</td> </tr> <tr> <td>0</td> <td>1</td> <td>0</td> </tr> <tr> <td>1</td> <td>0</td> <td>0</td> </tr> <tr> <td>1</td> <td>1</td> <td>1</td> </tr> </tbody> </table>	A	B	S	0	0	1	0	1	0	1	0	0	1	1	1	Função Coincidência: Assume 1 quando houver coincidência entre os valores das variáveis.	$S=A \cup B$ $S=A \cdot B + \bar{A} \cdot \bar{B}$
A	B	S																	
0	0	1																	
0	1	0																	
1	0	0																	
1	1	1																	